

## Vela shelving system 100x50x10

by Ramón Esteve

Vela Collection, designed by Ramon Esteve for Vondom. This extensive outdoor furniture and plantpot collection aims to offer the comfort and the quality of interior furniture without losing it's original qualities.



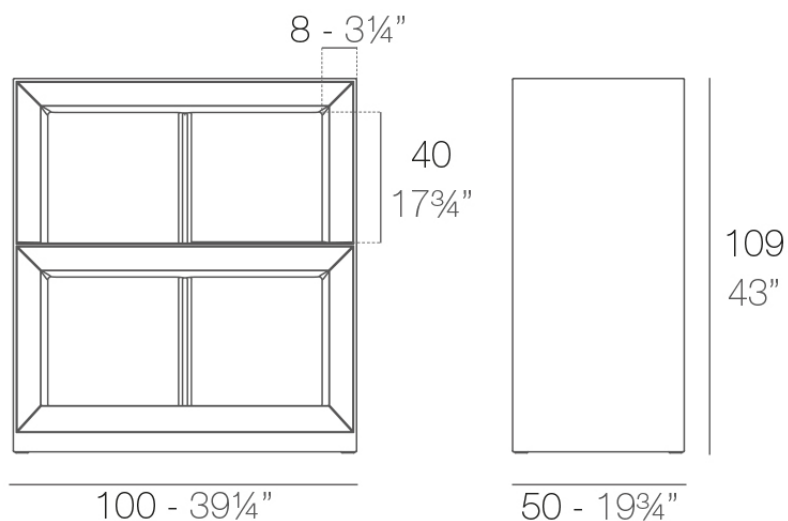
## Info

---

### Description

Made of polyethylene resin by rotational moulding. 100% Recyclable. Item suitable for indoor and outdoor use. Available in different finishes.

Weight: 35.06 Kg



VELA Contrabarra  
VELA Shelving system

## Finishes

---

### finishes

---

BASIC

Ref. 54123



orange



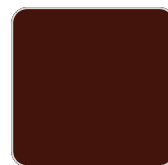
notte blue



crema



green



purjai red



white



black



bronze



steel



anthracite



red



khaki



taupe



ecru



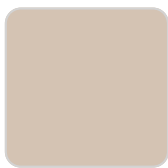
beige

Matt Polyethylene

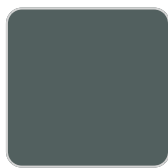
LACQUERED

# VONDOM

Ref. 54123F



crema



green



purjai red



white



black



bronze



steel



anthracite



red



khaki



taupe



ecru



beige



champany

Lacquered Polyethylene

## lighting

---

WHITE LED  
Ref. 54123W



# VONDONM



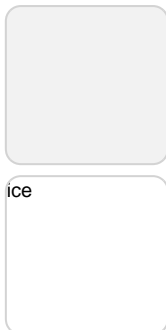
White internally lit unit with LED technology. Available only in matte ice white finish.

RGBW LED  
Ref. 54123L



Unit with internal lighting with RGBW LED technology and remote control unit for switching colors. Available only in matte ice white finish. Remote control included.

RGBW LED DMX  
Ref. 54123D



Unit with internal lighting with RGBW LED technology and remote control unit for switching colors. Also controlled by DMX-1024 (wireless), enabling communication between one or more products simultaneously via the DMX transmitter (not included). There are two options to choose from: Professional XLR

# VONDOM

DMX and Home WIFI DMX. (Remote control included).  
Optional battery

RGBW LED BATTERY  
Ref. 54123Y



Unit with internal lighting with battery-powered RGBW LED technology. Includes charger and remote control for switching colors and charger. Available only in matte ice white finish.

RGBW LED DMX BATTERY  
Ref. 54123DY



Unit with internal lighting with RGBW LED technology and remote control unit for switching colors. Also controlled by DMX-1024 (wireless), enabling communication between one or more products simultaneously via the DMX transmitter (not included). There are two options to choose from: Professional XLR DMX and Home WIFI DMX. (Remote control included).

## Ambients

---

