

Manta wooden swivel armchair

by Eugeni Quitllet

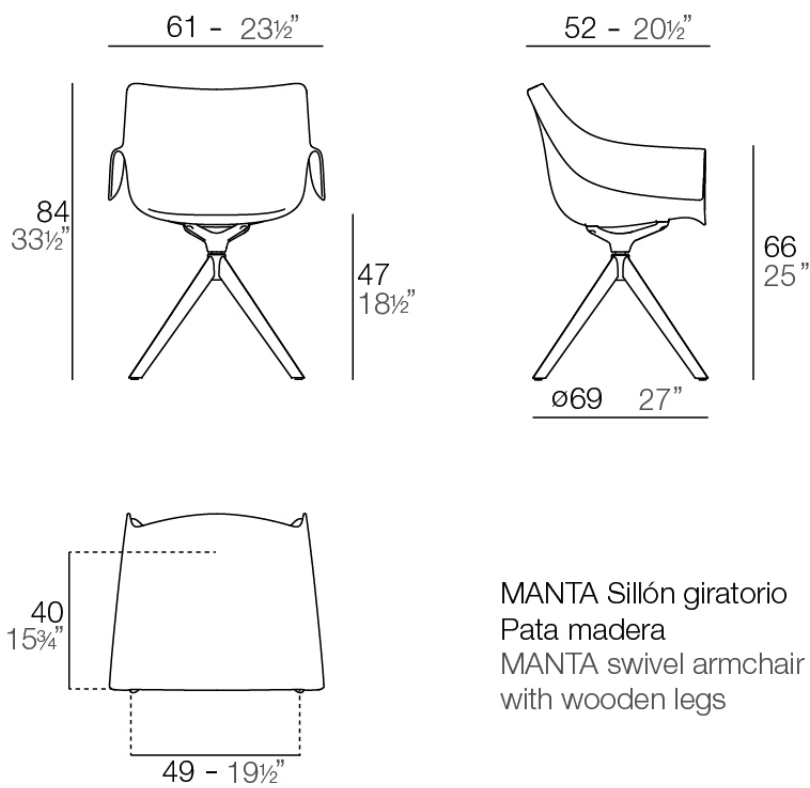
New outdoor and indoor chair collection. The versatile Manta chair adapts perfectly to any space, whether in a home, office, or public setting. This is all possible thanks to an interchangeable design made up of seats and bases to create countless combinations.



Info

Description

Weight: 9.3 Kg

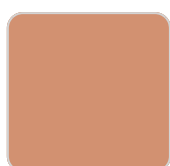


MANTA Sillón giratorio
Pata madera
MANTA swivel armchair
with wooden legs

Finishes

finishes

BASIC PP
Ref. 65055



melon



white



black



ecru



tortora

Available in various colors

legs

LEGS
Ref. 65055E



white wood 2



white wood 1



negro wood 2



negro wood 1

Ambients

