

Manta cantilever

by Eugeni Quitllet

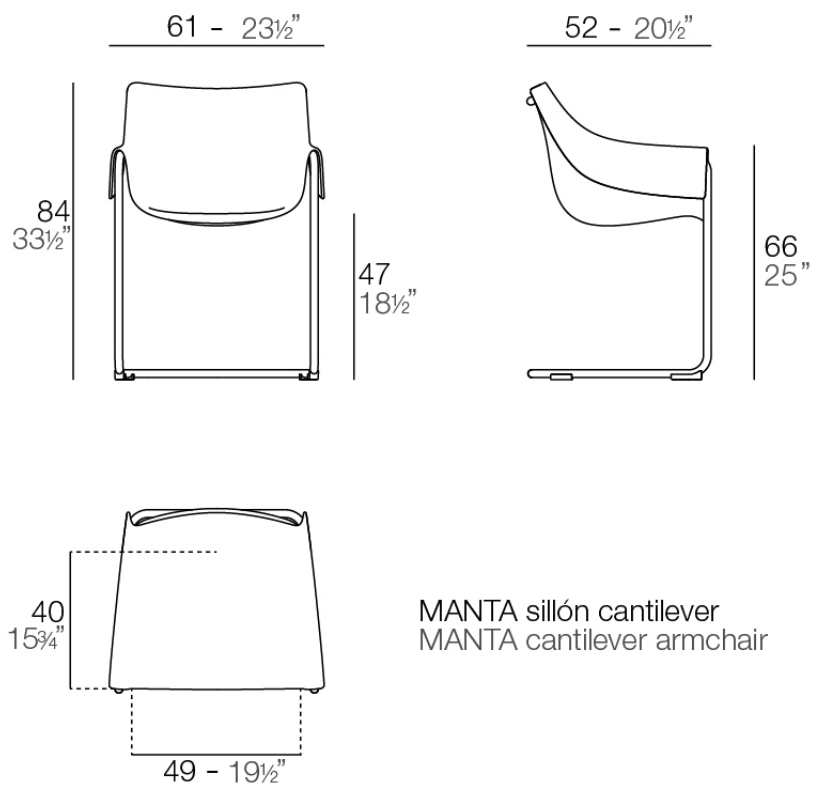
New outdoor and indoor chair collection. The versatile Manta chair adapts perfectly to any space, whether in a home, office, or public setting. This is all possible thanks to an interchangeable design made up of seats and bases to create countless combinations.



Info

Description

Weight: 5.6 Kg

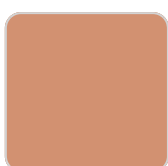


MANTA sillón cantilever
MANTA cantilever armchair

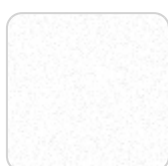
Finishes

finishes

BASIC PP
Ref. 65047



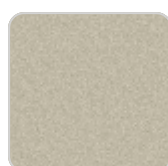
melon



white



black



ecru



tortora

Available in various colors

legs

LEGS
Ref. 65047E



white



black

Ambients

