

## Ibiza armchair

by Eugeni Quitlet

This is the first collection we launched by recovering and manufacturing recycled fishing nets from the Mediterranean Sea because we thrive to build a better future. Eugeni Quitlet was inspired by the idyllic natural surroundings of Ibiza, where he spent his childhood, to design a unique Mediterranean inspired collection. Wave-shaped like pieces that also simulate seashells.



## Info

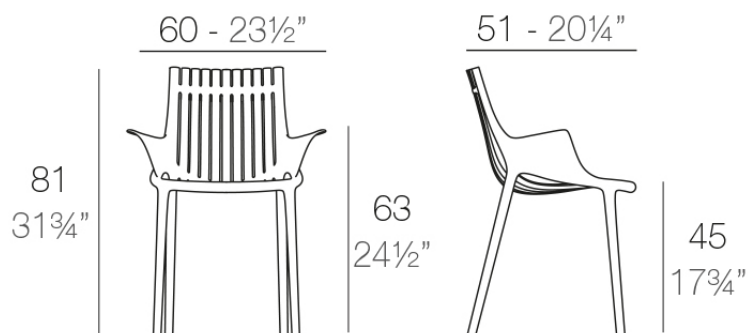
---

### Description

Made from polypropylene and reinforced with fiberglass manufactured by gas injection. Stackable . Available in various colors. Suitable for indoor and outdoor use.

In addition, the “Vondom Revolution” finish means it is made from 100% recycled plastic from the Mediterranean sea.

Weight: 5.66 Kg



IBIZA Sillón  
IBIZA Armchair

## Accessories

---

- **Fabric**

Fabric

## Finishes

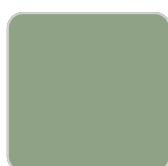
---

### finishes

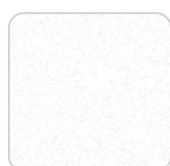
---

BASIC PP

Ref. 65041



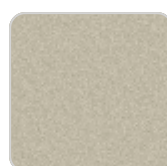
pickle



white



black



ecru

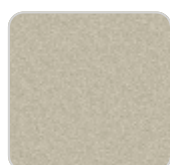
Available in various colors

VONDOM REVOLUTION

Ref. 65041VR



milos



cala



manta

Recycled polypropylene from fishing nets, recycled plastic from the Balearic Islands and bottles collected from our seas.

## Ambients

---

