

Hamptons lounger table

by Ramón Esteve

Hamptons, the **new collection of designer outdoor furniture** consists of a set of pieces where a careful selection of fabrics and patterns evoke that “lifestyle” where elegance is perceived in the finest details.



Info

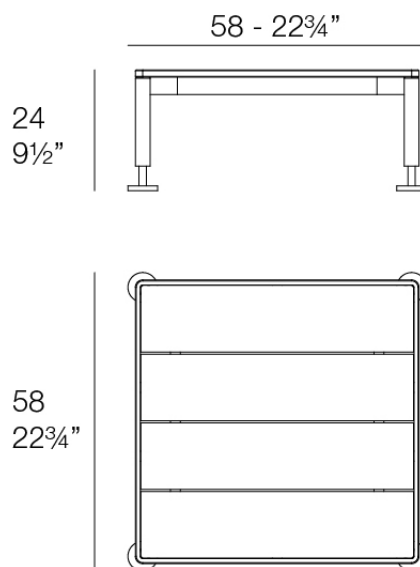
Description

The lounge table in the collection is distinguished by its solid aluminium structure, which makes it a light and sturdy option, especially suitable for outdoor environments. Its surface is made of HPL laminate,

a durable and easy-to-maintain material. The polished aluminium legs add elegance and a touch of shine.

Available in a wide range of colours, both for the aluminium structure and the HPL surface.

Weight: 21.86 Kg



HAMPTONS Mesa Tumbona
HAMPTONS Sun Lounger Table

Finishes

finishes

ALUMINIUM

Ref. 54813



white



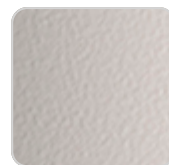
british gray



traffic gray



black



ecru



crema



castoro fiber



cacao



notte blue



modo green



pickle



almond



red



purjai red



melon



VONDOM

mostaza



Lacquered aluminium profile.

Ambients

