

## Brooklyn counter stool ø45x66

by Eugeni Quitllet

Even though the new version of our Brooklyn chair is made from recovered plastics from the sea, in tune with Vondom's Revolution to ensure a more sustainable future for all, it still maintains its contemporary and timeless essence, unifying its past with its future. Brooklyn is a yesterday, today's and tomorrow's chair. A sustainable furniture collection with an urban design, that is suitable for the most elegant spaces, it simulates New York's City Bridge with its straight and curved lines.



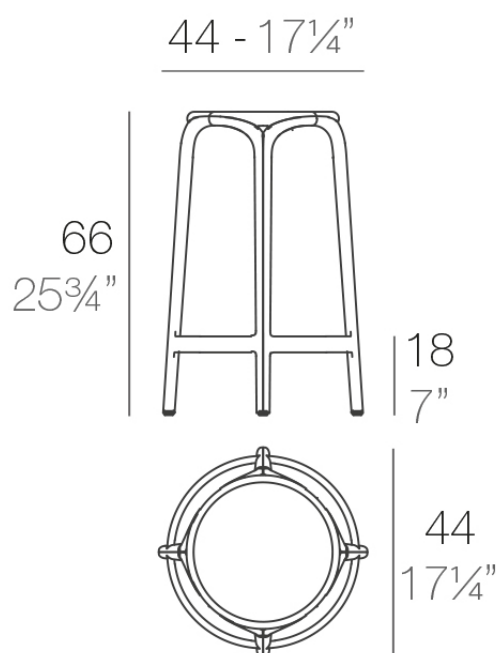
## Info

---

### Description

Made of injected polypropylene with fiber glass. Stackable. Available in several colors. Item suitable for indoor and outdoor use.

Weight: 4.06 Kg



BROOKLYN Taburete Alto 66  
BROOKLYN Bar Stool 25 3/4"

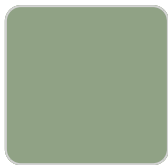
## Finishes

---

### finishes

---

BASIC PP  
Ref. 65028



pickle



white



black



ecru



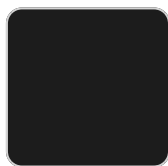
tortora

Available in various colors

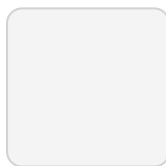
LACQUERED COLOR INJECTION PP  
Ref. 65028F



anthracite 3106



black 3102



white 3101

—

## Ambients

---

