

Brooklyn bar stool ø45x76

by Eugeni Quitllet

Even though the new version of our Brooklyn chair is made from recovered plastics from the sea, in tune with Vondom's Revolution to ensure a more sustainable future for all, it still maintains its contemporary and timeless essence, unifying its past with its future. Brooklyn is a yesterday, today's and tomorrow's chair. A sustainable furniture collection with an urban design, that is suitable for the most elegant spaces, it simulates New York's City Bridge with its straight and curved lines.

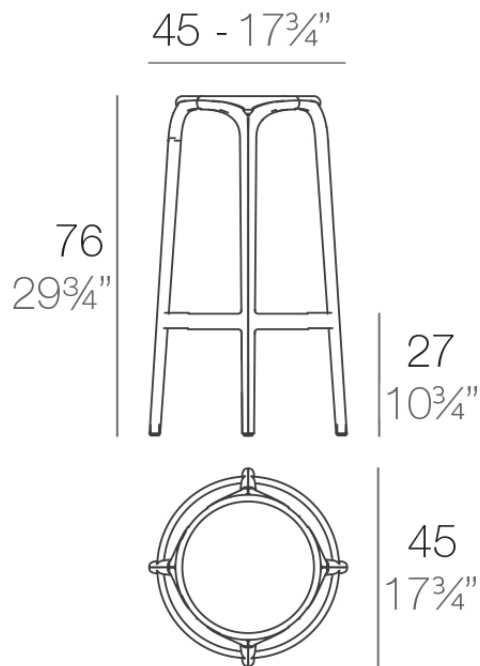


Info

Description

Made of injected polypropylene with fiber glass. Stackable. Available in several colors. Item suitable for indoor and outdoor use.

Weight: 4.31 Kg

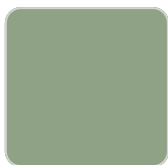


BROOKLYN Taburete Alto 76
BROOKLYN Bar Stool 29 3/4"

Finishes

finishes

BASIC PP
Ref. 65027



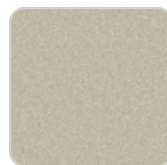
pickle



white



black



ecru



tortora

Available in various colors

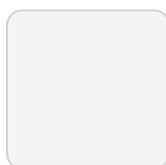
LACQUERED COLOR INJECTION PP
Ref. 65027F



anthracite 3106



black 3102



white 3101

—

Ambients

